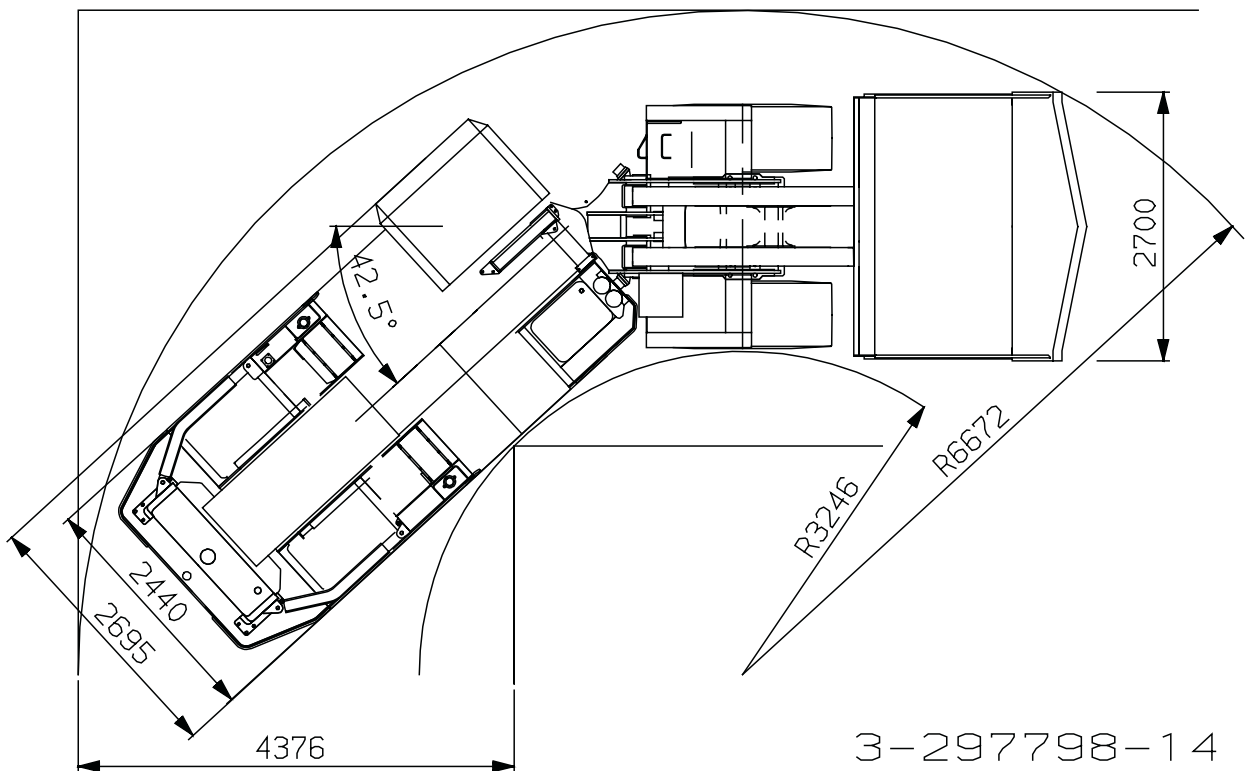
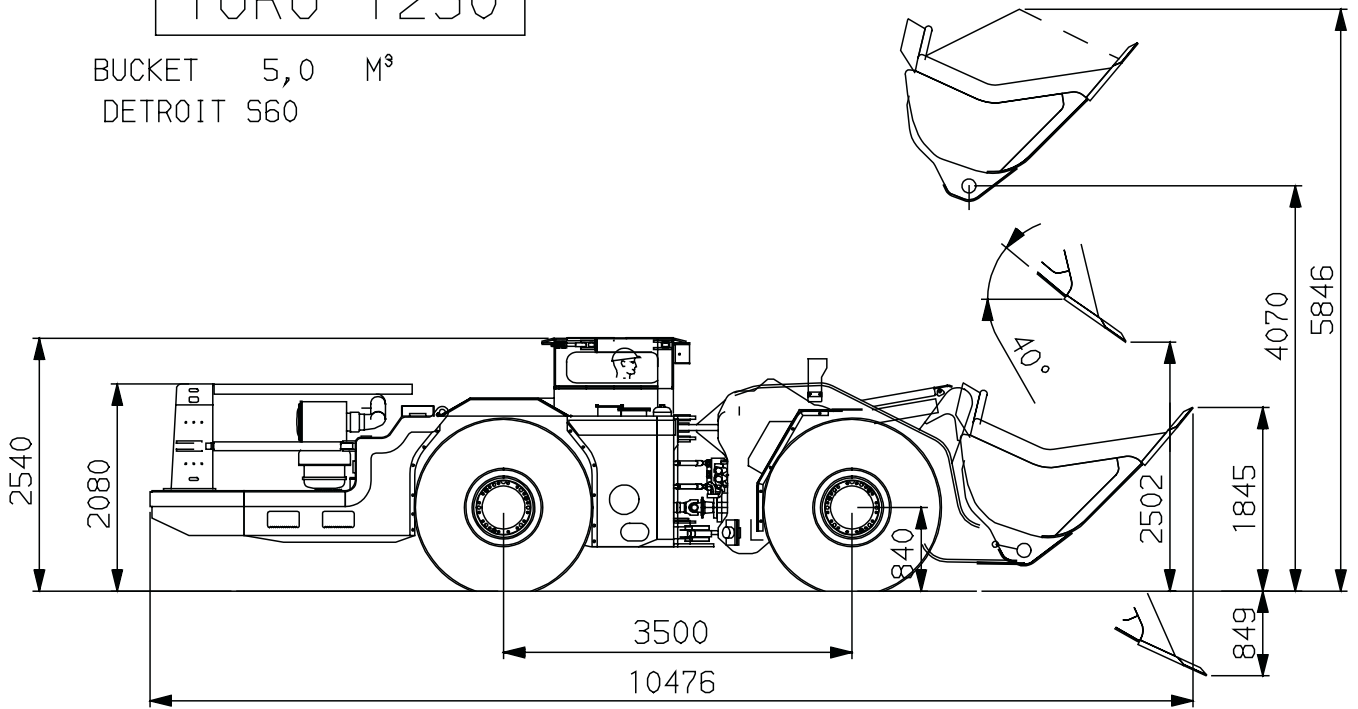


TORO 1250

BUCKET 5,0 M³
DETROIT S60



3-297798-14

010799KAM

SANDVIK TAMROCK reserves the right to change this specification without further notice



SANDVIK TAMROCK Corp., P.O. Box 434
FIN-20101 Turku, Finland
Tel. +358 20544131
Fax. +358 20544130
e-mail: toro@sandvik.com
Internet: www.toro.sandvik.com

Weights

Operating weight	33 000 kg (72 800 lb)
Total loaded weight	45 500 kg (100 300 lb)
Shipping weight	32 600 kg (71 900 lb)

Capacities

Tramming capacity	12 500 kg (27 600 lb)
Breakout force, lift	275 kN (28 042 kg) (61 822 lb)
Breakout force, tilt	230 kN (23 453 kg) (51 705 lb)
Tipping load	28 800 kg (63 500 lb)
Bucket std.	5,0 m ³ (6.5 yd ³), HB500/400

Bucket motion times

Raising time	7.0 sec.
Lowering time	4.0 sec.
Tipping time	2.3 sec

Driving speeds forward and reverse

1st gear	5,6 km/h (3.5 mph)
2nd gear	9,7 km/h (6.0 mph)
3rd gear	16,5 km/h (10.3 mph)
4th gear	28,2 km/h (17.5 mph)

Engine

Diesel engine	Detroit S-60 DDEC
Output	224 kW (300 Hp) / 2100 r/min
Torque	1424 Nm (1050 lb – ft)
Number of cylinders	In line 6
Displacement	12 700 cm ³
Cooling system	Water cooled
Combustion principle	Four stroke/turbo, intercooler
Electric system	24 V
Air filtering	Donaldson
Exhaust system	Catalytic purifier and muffler
Fuel tank capacity	300 l (80 gal.)
Water tank capacity	300 l (80 gal.)

Drive line

Converter	Dana SOH, C 8602
Gearbox	Dana SOH, 5422
Axles	Front, Dana SOH, 21D 3847 Rear, Dana SOH, 21D, oscillating ± 8°.

Tyres

Size and type 26.5x25 L5S, Bridgestone
Other type of tyres available to user's choice. In certain applications the productive capabilities of the loader may exceed the TKPH value given by tyre manufacturer. Sandvik Tamrock recommend that the user consult their tyre supplier to evaluate conditions and to find the best solution for application.

Operators compartment

ROPS / FOPS certified canopy.
Height 2540 mm (100")
Optional air-conditioned ROPS/FOPS safety cabin

Lubrication system

Centralized manual lubrication,
dog bone pins with grease chamber
Optional automatic central lubrication

Manual languages

Spare part manual	
Operation instructions	main European languages
Maintenance instructions	main European languages
Engine spare part information	English
Machine spare part information	English
Workshop manual	
Operation instructions	main European languages
Maintenance instructions	main European languages
Engine workshop manual	Original
Power train components manual	Original
Optional equipment instructions	English

Optional bucket sizes

- Bucket size 4.6 m³ (6.0 yd³), width 2700 mm (106"), HB500/400.
- Bucket size 5.4 m³ (7.0 yd³), width 2700 mm (106"), HB500/400.
- Bucket size 6.0 m³ (7.8 yd³), width 3000 mm (118"), HB500/400.
- Ejector bucket 5.4 m³ (7.0 yd³), width 3000 mm (118"), HB500/400.